

Dispenser Installation Guide



Dispensers

This **installation guide** caters to the following dispensers

e-CUT (SZ 0401) SENSOR PAPER DISPENSER



ART-394 CENTREPULL DISPENSER



ART-SL810 AUTO CUT PAPER TOWEL DISPENSER



ART-396 TWIN ROLL DISPENSER



ART-512 JUMBO ROLL DISPENSER



ART-SL2008 TWIN ROLL DISPENSER



You may use the **3M heavy duty / mounting tape** for the following dispensers

ART-518 INTERLEAVED DISPENSER



ART-812 PAPER HAND TOWEL DISPENSER



DC 800 SOAP DISPENSER



Always wear appropriate protective gear
Follow safety regulations and procedures



Safety Goggles	Ear Plugs	Respiratory Mask
		

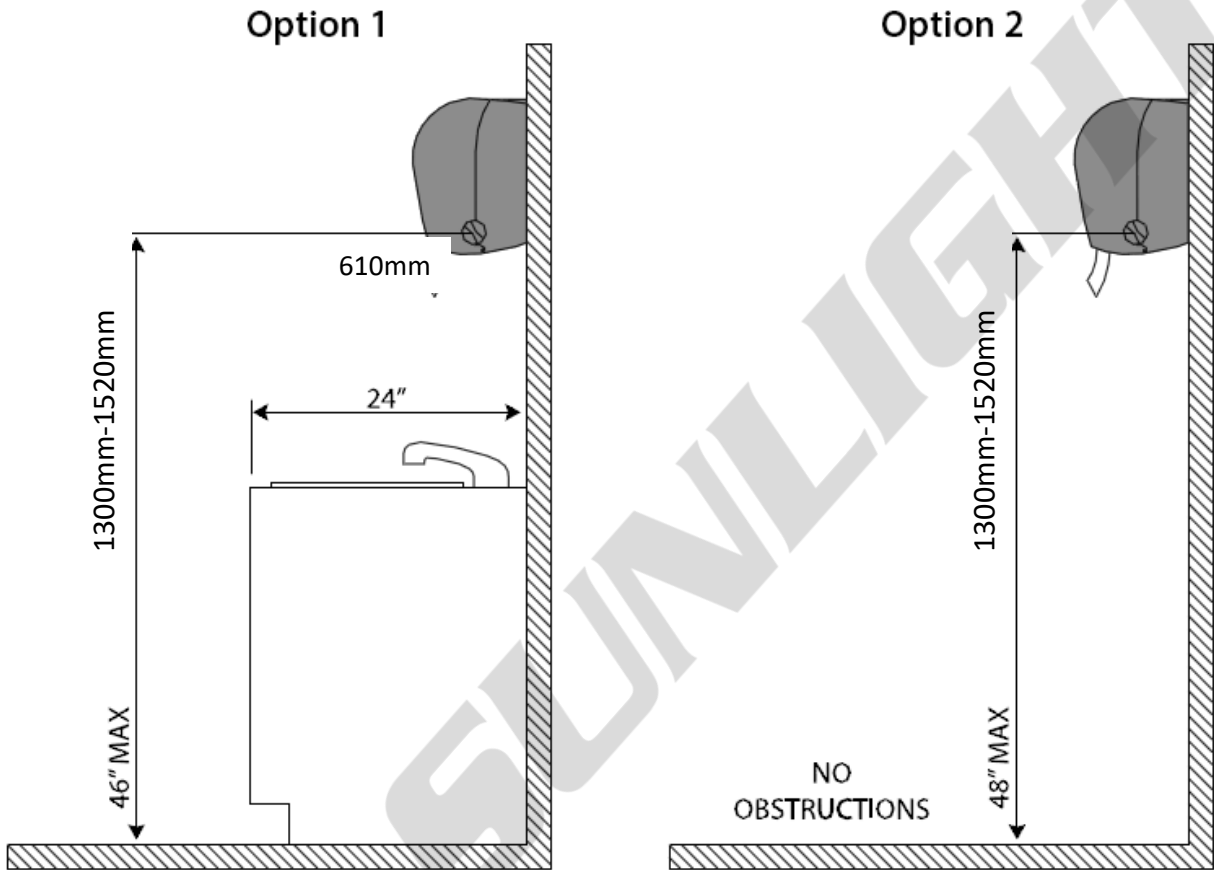
You will need the following tools:

4 screws & 4 wall anchors	(electric) Screwdriver	Tape measure
 <p>x4</p> <p>x4</p>	 <p>or</p>	
Electric drill	Hammer	Marker or pencil
		 <p>or</p>

How high should you mount paper dispensers?

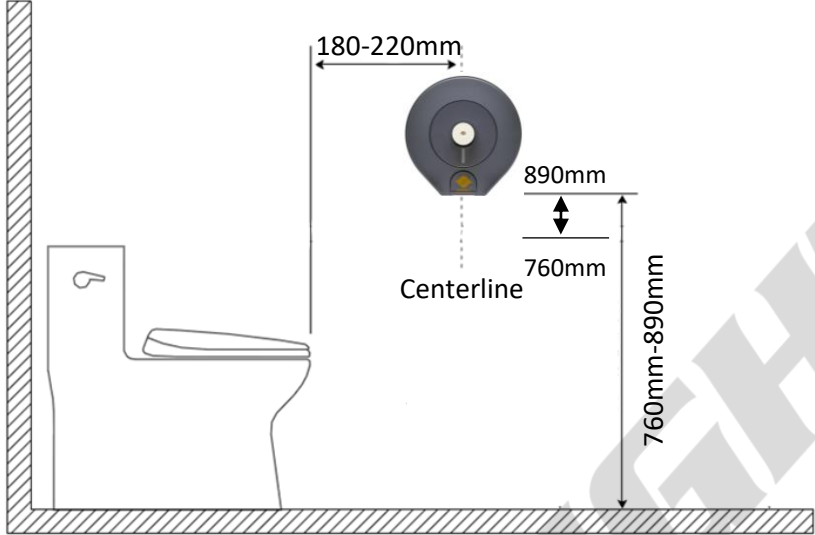
Reach limits for soap and hand towel dispensers do not differ in locations for instance, bathrooms, kitchens and pantry. Recommended height to install a dispenser is **between 1300-1520mm above the floor**.

Following [NEA regulations](#) for amenities to be provided in public toilet, paper towel dispenser shall be provided for every two count of wash hand basins, subject to a minimum of one. Paper towel dispensers shall be positioned directly above and at least between every two wash hand basins.

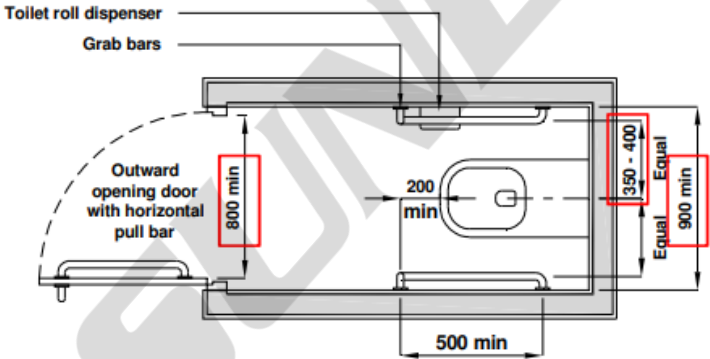


How high should you mount JRT dispensers?

From side view, mount within 180-220mm in front of toilet from centerline and 760-890mm above the floor.



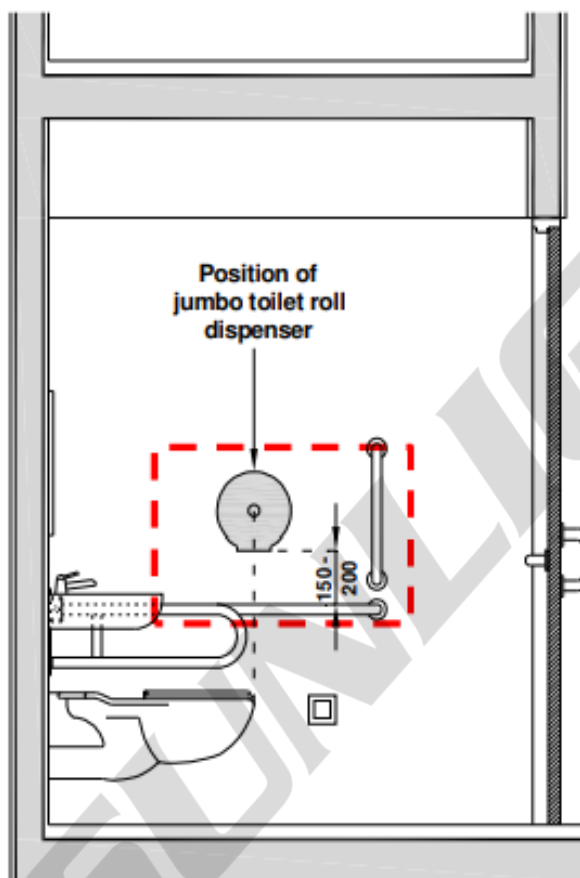
Following [BCA Regulations](#), from top view, mount within 350-400mm from centerline of toilet bowl to cubicle wall.



How high should you mount JRT dispensers in ambulant disabled toilets?

Following [BCA Regulations](#), jumbo toilet roll dispenser is allowed provided it is reachable & does not interfere with the use of grab bars.

- $150 \text{ mm} \leq H_t \leq 200 \text{ mm}$ above the horizontal grab bar
- Approximately 50 mm from the front edge of the seat to the centerline of the toilet roll dispenser



Step 1:

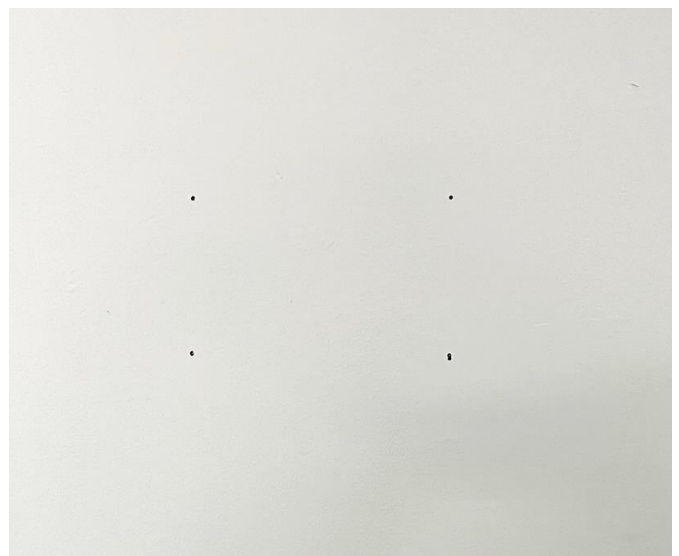
Measure the desired height of the dispenser from the floor

Tools required



Step 2:

Mark your hanging points using a marker or pencil



Step 3:

Drill into the hanging points using the electric drill



Do not make the hole wider than the wall anchors

Tools required



x4



Step 4:

Use a hammer to tap the wall anchors into the wall



Step 5:

Place the dispenser on the wall and insert the screws into the wall anchors

Step 6:

Use a screwdriver or electric screwdriver to tighten the screws

Tools required


 x4



Step 7:

Installation complete!

