

Dispenser Installation Guide



Dispensers

This **installation guide** caters to the following dispensers

SL850-35A-B COMPACT SENSOR PAPER DISPENSER



SL810 AUTOCUT ROLL DISPENSER



SZ 0401 ELECTRONIC SENSOR PAPER DISPENSER



ART-396 TWIN ROLL DISPENSER



ART-512 JUMBO ROLL DISPENSER



ART-SL2008 TWIN ROLL DISPENSER



SUNLIGHT ART-528 JUMBO ROLL DISPENSER
MINI (WHITE)



ART-394 CENTREPULL DISPENSER



You may use the **3M heavy duty / mounting tape** for the following dispensers which would be provided upon request.

Note: NOT to be used on partition or cement walls

ART-518 INTERLEAVED DISPENSER



ART-812 PAPER HAND TOWEL DISPENSER



DC 800 SOAP DISPENSER



SUNLIGHT 8805 M FOLD TISSUE DISPENSER



SUNLIGHT 8806 M FOLD TISSUE DISPENSER



Always wear appropriate protective gear
Follow safety regulations and procedures



Safety Goggles	Ear Plugs	Respiratory Mask
		

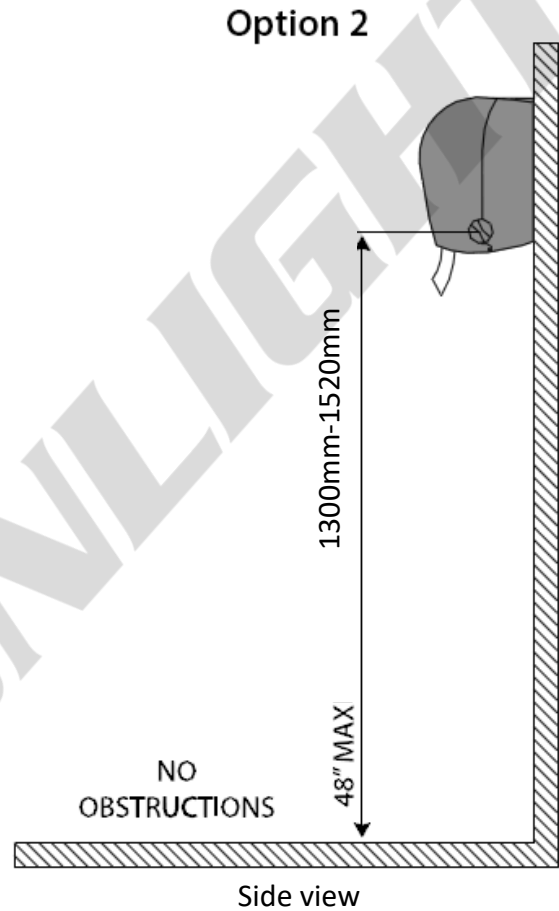
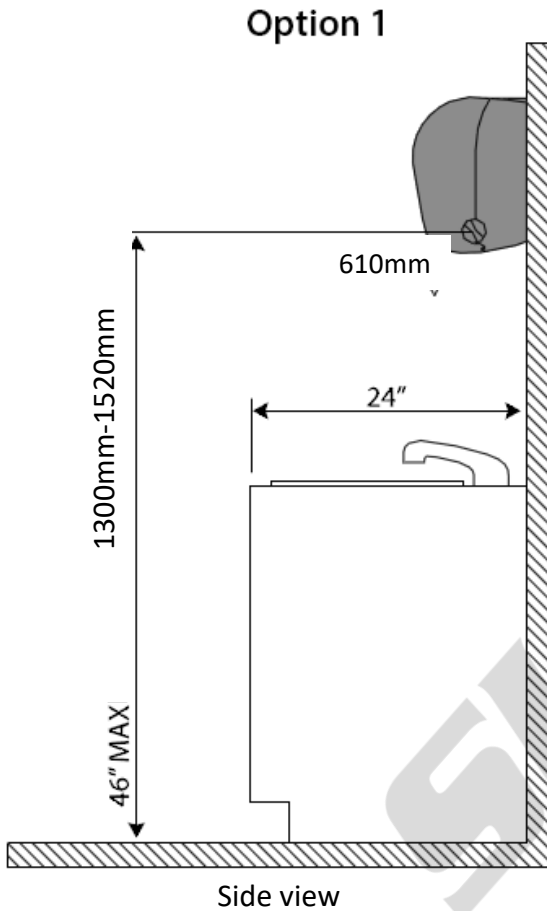
You will need the following tools:

4 screws & 4 wall anchors	(electric) Screwdriver	Tape measure
 x4 x4	 or	
Electric drill	Hammer	Marker or pencil
		 or

How high should you mount paper dispensers?

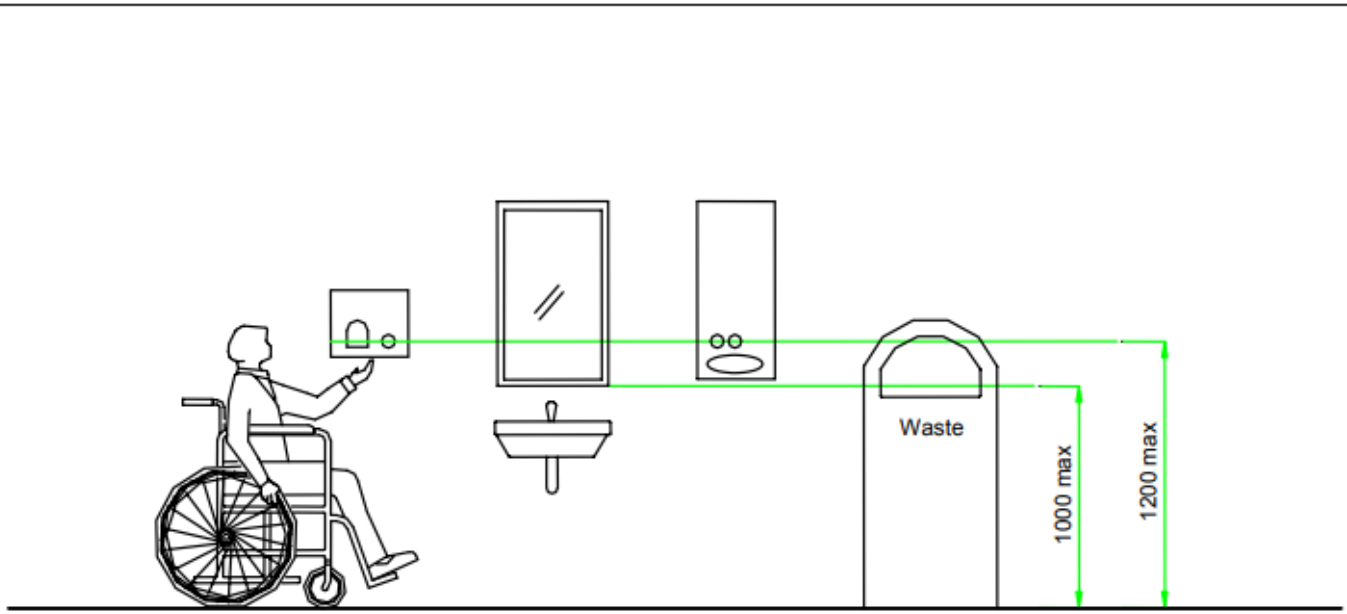
Reach limits for soap and hand towel dispensers do not differ in locations for instance, bathrooms, kitchens and pantry. Recommended height to install a dispenser is **between 1300-1520mm above the floor**.

Extracted from [NEA regulations](#), for amenities to be provided in public toilet, paper towel dispenser shall be provided for every two count of wash hand basins, subject to a minimum of one. Paper towel dispensers shall be positioned directly above and at least between every two wash hand basins.



How high should you mount paper dispensers in ambulant disabled toilets?

Extracted from [BCA regulations](#), height to install a paper dispenser is **between 1000-1200mm** above the floor.



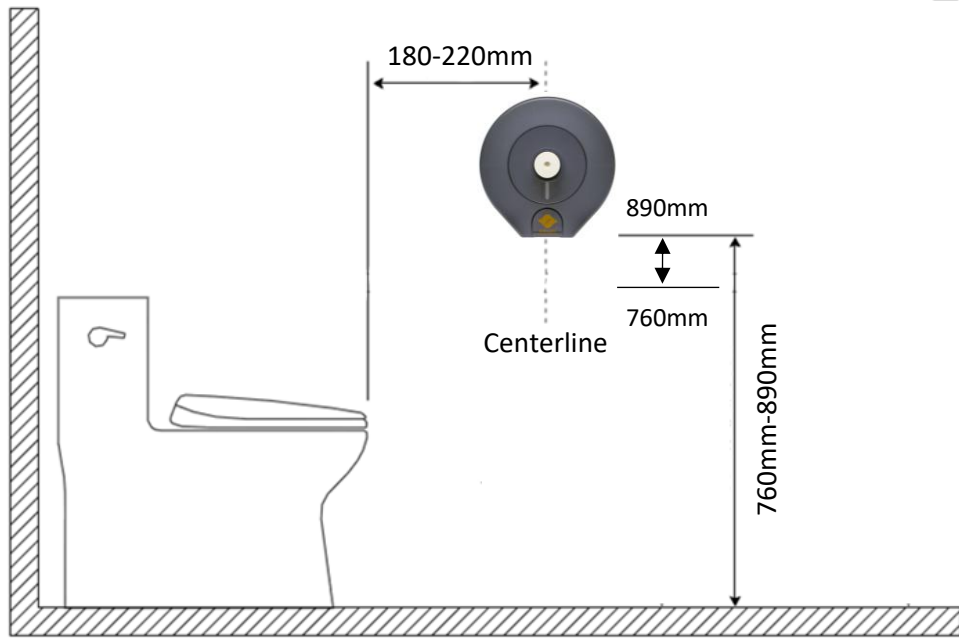
Side view



How high should you mount JRT dispensers?

Extracted from [NEA regulations](#), for amenities to be provided in public toilet, a jumbo paper toilet roll holder or a toilet tissue dispenser of similar capacity shall be installed in each WC cubicle.

From side view, mount within 180-220mm in front of toilet from centerline and 760-890mm above the floor.



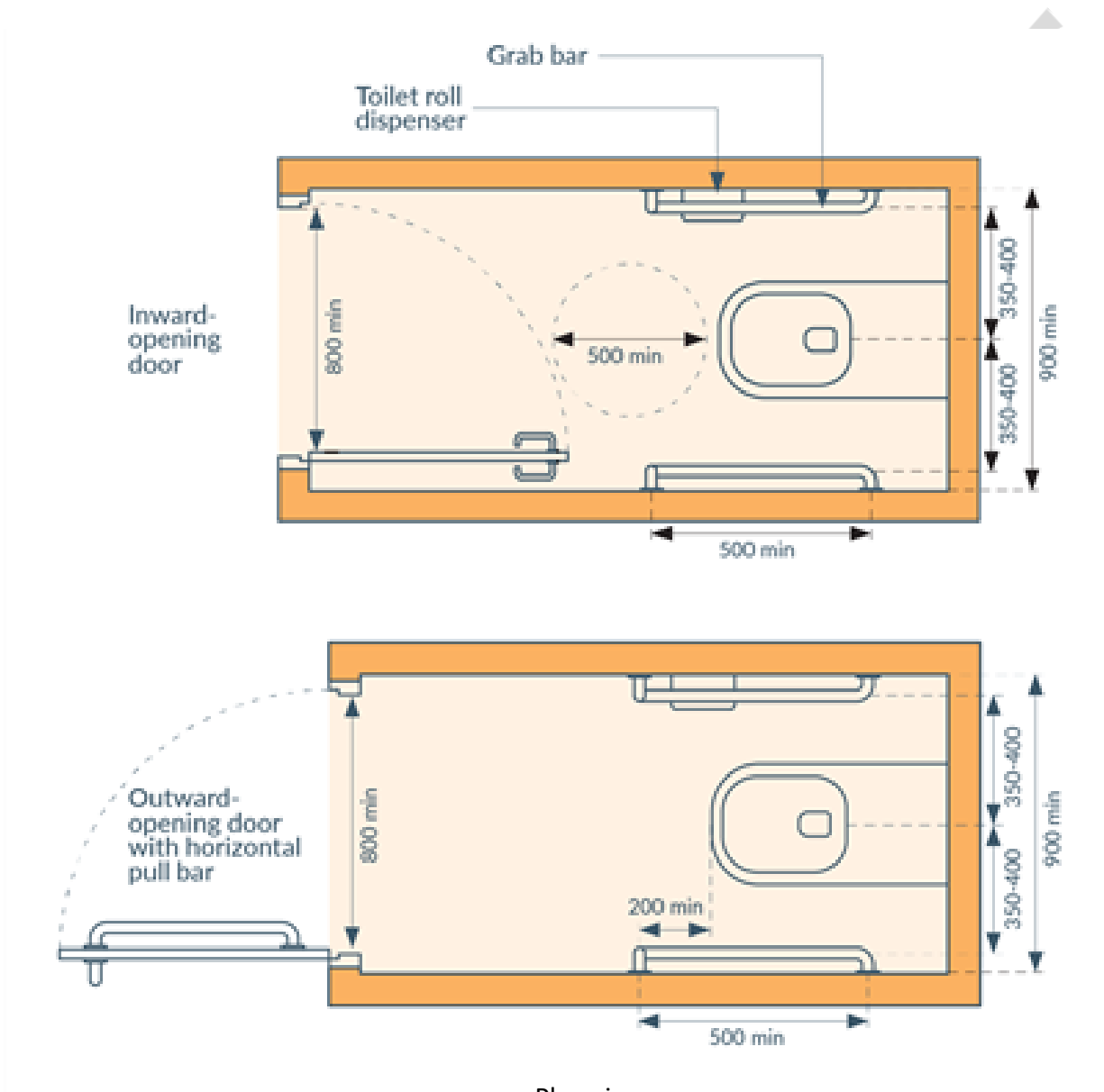
Side view



Which wall to mount your toilet roll holders?

Extracted from [BCA regulations](#), from top view, mount within 350-400mm from **centerline of toilet bowl to cubicle wall**.

Best practice to place your toilet roll holder is: the side diagonally opposite the inward opening door. This is so that it does not hinder the movement of the opening door.

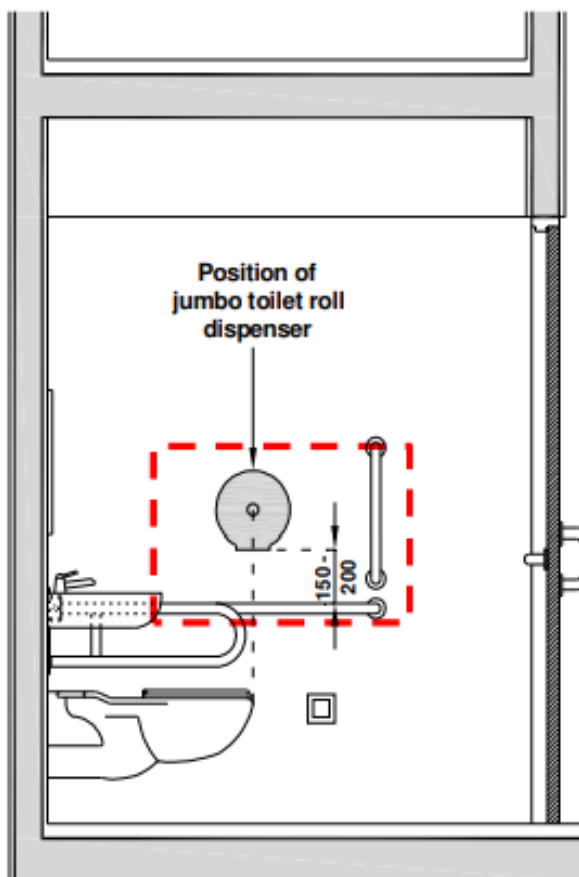


Plan view

How high should you mount JRT dispensers in ambulant disabled toilets?

Extracted from [BCA regulations](#), jumbo toilet roll dispenser is allowed provided it is reachable & does not interfere with the use of grab bars.

- $150 \text{ mm} \leq H_t \leq 200 \text{ mm}$ above the horizontal grab bar
- Approximately 50 mm from the front edge of the seat to the centerline of the toilet roll dispenser



Side view



Step 1:

Measure the desired height of the dispenser from the floor

Tools required



Step 2:

Mark your hanging points using a marker or pencil






Step 3:

Drill into the hanging points using the electric drill



Do not make the hole wider than the wall anchors

Tools required

 x4


Step 4:

Use a hammer to tap the wall anchors into the wall



Step 5:

Place the dispenser on the wall and insert the screws into the wall anchors

Step 6:

Use a screwdriver or electric screwdriver to tighten the screws

Tools required


 x4



Step 7:

Installation complete!

